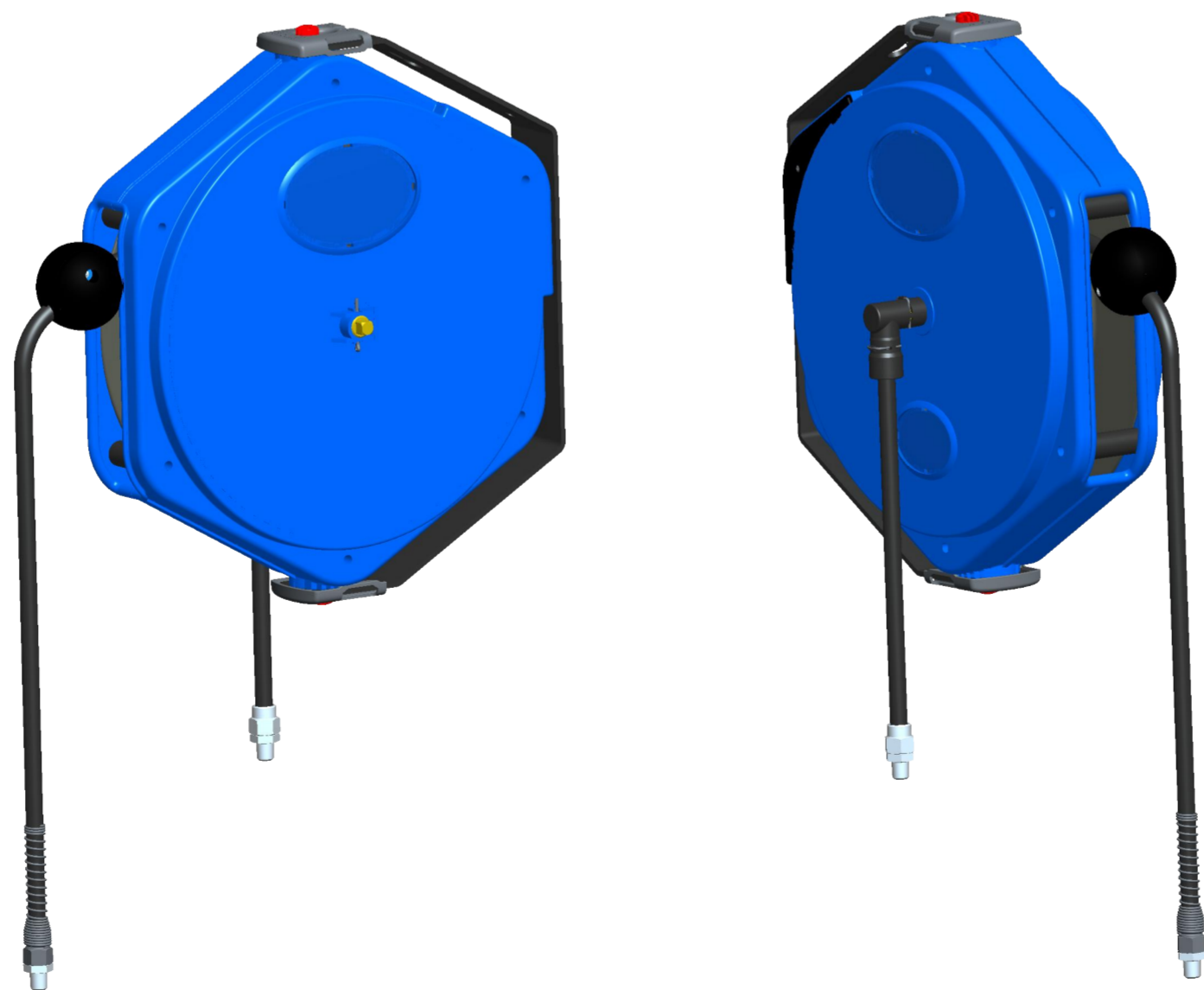
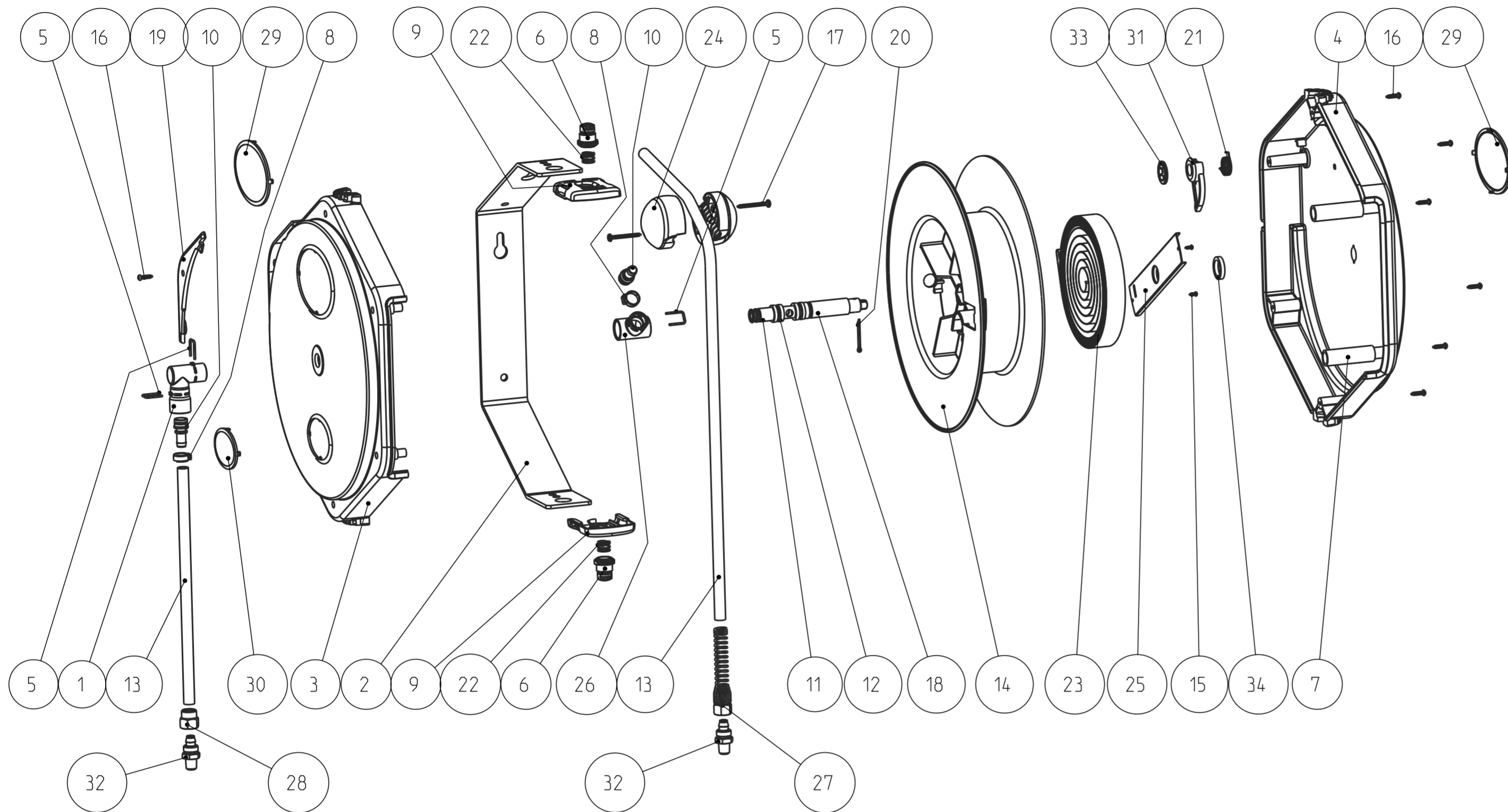


Alle r tigheter f rbeh lts.
All rights reserved.
Alle rechte vorbehalten.

Dessa teckning darf weder ganz noch teilweise ohne unsere ausdr ckliche Genehmigung kopiert oder auf andere Weise verv ltlicht werden. Zuwiderhandlungen werden gerichtlich verfolgt.

Denna handling f r ej utan v r medgivande delges annan. Kopieras eller eljest obeh rigen anv ndas.  verr ttelse h rvid beivras med st d av g llande lag. This document must not be copied, either completely or in part, without our permission. Any infringement will have legal consequences.



34	1	Washer	Steel
33	1	Washer	Steel
32	2	Union half nipple	Brass
31	1	Trigger	Plastic
30	1	Text plate	Plastic
29	2	Text plate	Plastic
28	1	Swivel nut	Brass
27	1	Swivel nut	Brass
26	1	Swivel connection	Plastic
25	1	Support bracket	Steel
24	2	Stop ball	Plastic
23	1	Spring	Steel
22	2	Spring	Stainless steel
21	1	Spring	Stainless steel
20	1	Split pin	Steel
19	1	Side cover	Plastic
18	1	Shaft "hose"	Al
17	2	Screw	Steel
16	7	Screw	Steel
15	2	Screw	Steel
14	1	Reel	Plastic
13	2	Polyurethane hose	-
12	2	O-ring	NBR
11	2	O-ring	NBR
10	2	Nipple 9,5X13,5	Aluminium
9	2	Locking plate	Plastic
8	2	Hose clamp	Stainless steel
7	2	Guide roll	Plastic
6	2	Guide Bolt	Plastic
5	3	Clamp	Stainless steel
4	1	Casing right	Plastic
3	1	Casing left	Plastic
2	1	Bracket	Steel
1	1	Angle connection	Plastic
Detail Item	Antal Quant.	Ben�mning Description	Material Material

Product no: 19_911_5125

Max working pressure:	12	bar connected
		bar disconnected
Min burst pressure:	-	bar connected
	-	bar disconnected
Sealing material:	NBR	
Temperatur range:	-20�C - +60 �C	
Nominal flow diameter, DN:	9,5	mm
Connection	R 1/4"	male
Connection stroke:	-	mm



Skala Scale	0:1	Ritad Drawn	JUOL	Kontroll Checked	LHe	Godk. Appr.	OG	M nr. Att. no.	-	Dat. Date	130913
Assembly drawing							Ritning nr./Drawing No.		50_911_5125		
							Utg./Issue		AA		